

# SKY L T SEE-THROUGH



European Home

Manufacturer and Importer of high-end Gas, Wood and Electric Fireplaces



Dutch designs imported from the Netherlands



## SPECIFICATIONS

<b>GAS TYPE</b>	Natural Gas or Propane
<b>BURNER</b>	Double Burner
<b>HEAT OUTPUT (NATURAL GAS)</b>	17,000 - 44,000 BTU/hr
<b>HEAT OUTPUT (LIQUID PROPANE)</b>	11,000 - 36,000 BTU/hr
<b>VIEWABLE OPENING</b>	27 <sup>5</sup> / <sub>16</sub> " W x 62 <sup>5</sup> / <sub>8</sub> " H
<b>WEIGHT</b>	415 lbs.
<b>VENTING</b>	Requires 5" x 8" Direct Vent
<b>FLAME ADJUSTMENT</b>	Yes
<b>INTERIOR</b>	Black Anthracite (Standard)
<b>REMOTE CONTROL</b>	Yes
<b>ELECTRIC IGNITION</b>	Yes
<b>CERTIFICATION</b>	ANSI Z21.11.50a-2008, CSA 2.22a-2008, CSA P.4 - Vented Gas Fireplaces
<b>MASS APPROVAL CODE</b>	G3-0219-3
<b>EFFICIENCY</b>	81.5%

# PRODUCT OPTIONS & ACCESSORIES

## MULTI BURNER SYSTEM



PRODUCT	ITEM CODE
SKY T	E4-SKY-L-T-KIT

## PROPANE (LP) CONVERSION KIT

PRODUCT	ITEM CODE
For SKY Models	E4-SA-LPCK-5-02

## CONVECTION AIR OPENING TRIMS



PRODUCT	ITEM CODE
Opening Size 8" x 1.75" Frame Size 10.5" x 3.75"	E4-SA-PF-CAOT-8-02
Opening Size 10" x 2.5" Frame Size 12" x 4.5"	E4-SA-PF-CAOT-10-03
Opening Size 11" x 3" Frame Size 12.5" x 4.5"	E4-SA-PF-CAOT-11-03
Opening Size 11" x 5.5" Frame Size 13" x 7.5"	E4-SA-PF-CAOT-11.5-02
Opening Size 20" x 1.75" Frame Size 22" x 3.75	E4-SA-PF-CAOT-20-03
Opening Size 25" x 2" Frame Size 27" x 4"	E4-SA-PF-CAOT-25-03
Opening Size 34" x 1.75" Frame Size 36" x 3.75"	E4-SA-PF-CAOT-34-02
Opening Size 36" x 1.75" Frame Size 38" x 3.75"	E4-SA-PF-CAOT-36-03
Opening Size 38" x 2.5" Frame Size 40" x 4.5	E4-SA-PF-CAOT-38-02
Opening Size 40" x 1.75" Frame Size 42" x 3.75	E4-SA-PF-CAOT-40-03
Opening Size 50" x 2" Frame Size 52" x 4"	E4-SA-PF-CAOT-50-02

## FIRE MEDIA - LANDSCAPE SERIES



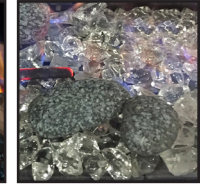
FALLEN BIRCH



FOREST PATH



LOG SET



TUNDRA

PRODUCT	ITEM CODE
FALLEN BIRCH	For SKY Models E4-FM-FB-45
FOREST PATH	For SKY Models E4-FM-FP-416
LOG SET	For SKY Models E4-LSE-416 II
TUNDRA	For SKY Models E4-FM-TN-45

## FIRE MEDIA - CLASSIC SERIES



BLACK QUARTZ



BRILLIANTS



CARRARA PEBBLES



GRAY STONES

PRODUCT	ITEM CODE
BLACK QUARTZ	For SKY Models E4-STBGE4-7
BRILLIANTS	For SKY Models E4-STDE4-6
CARRARA PEBBLES	For SKY Models E4-STC4-2
GRAY STONES	For SKY Models E4-FM-GS-5

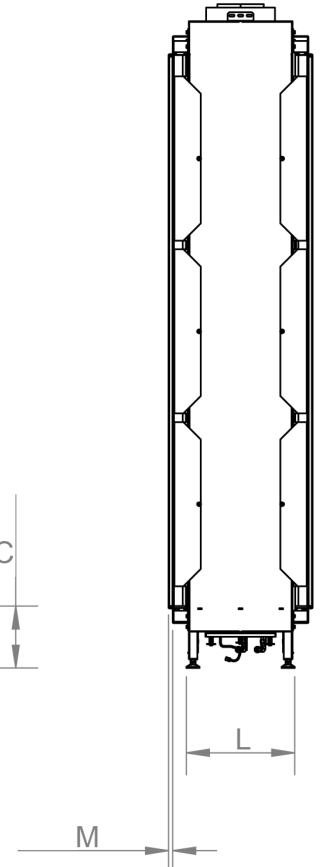
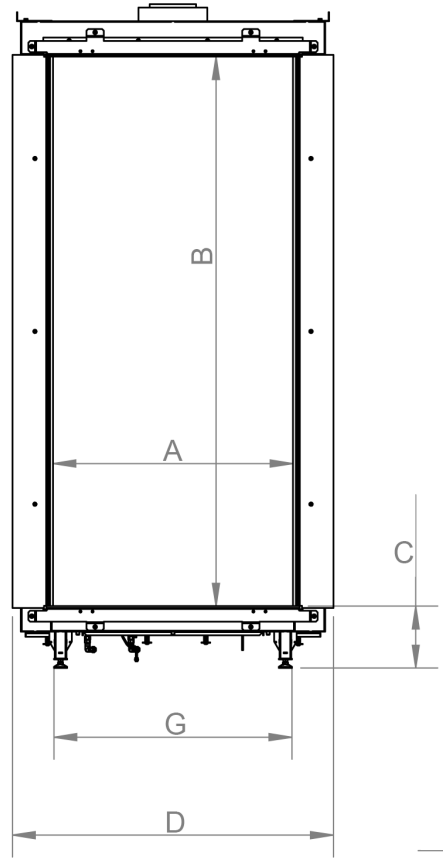
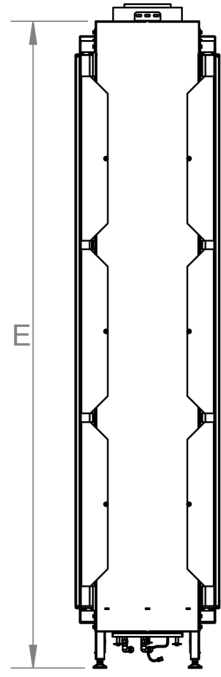
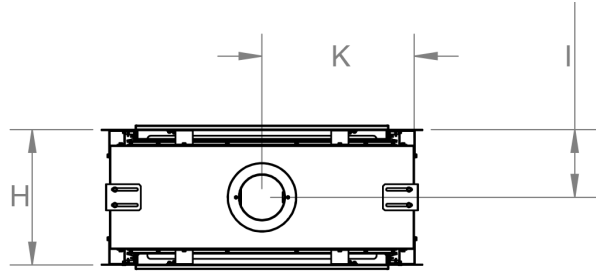
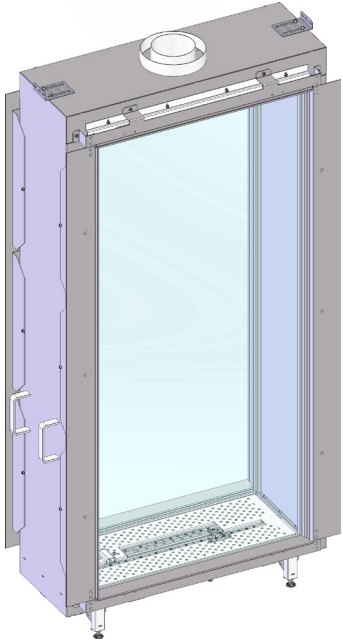
## INTERIOR BLACK REFLECTIVE PANELS

PRODUCT	ITEM CODE
For SKY Models	E4-CP-BG-SKY-T

## MISC ACCESSORIES

PRODUCT	ITEM CODE
Home Automation Cable	E4-SA-SHSC-02
Wi-fi Enabling Kit	E4-GS-Wifi
Puck Smart Control	E4-GS-PUCK-02
Dealer Service Case	E4-SVC-Case-02

# CUT SHEET



LETTER	A	B	C	D	E	G	H	I	K	L	M
INCHES	27 <sup>5</sup> / <sub>16</sub> "	62 <sup>5</sup> / <sub>8</sub> "	7 <sup>1</sup> / <sub>16</sub> "	36 <sup>9</sup> / <sub>16</sub> "	73 <sup>11</sup> / <sub>16</sub> "	27"	15 <sup>7</sup> / <sub>16</sub> "	7 <sup>11</sup> / <sub>16</sub> "	17 <sup>5</sup> / <sub>16</sub> "	12 <sup>5</sup> / <sub>16</sub> "	1 <sup>1</sup> / <sub>2</sub> "
[MILLIMETER]	[694]	[1590]	[179]	[928]	[1871]	[686]	[392]	[196]	[440]	[313]	[13]

# VENTING CHARTS

## 3.2 Category 2 (Imperial) - Ratio 1:2.5

The tables below are the same for fireplaces with vent collar diameter 5/8 and 4/6. Fireplaces in this category are never to be reduced to ensure a correctly functioning fireplace.

### 3.2.1 Calculation table horizontal termination

Total Vertical Length	36'	R	R	R	R	R	R	R	V	V	V	V
	33'	R	R	R	R	R	R	R	V	V	V	V
	30'	R	R	R	R	R	R	R	V	V	V	V
	27'	R	R	R	R	R	R	R	V	V	V	V
	24'	R	R	R	R	R	R	R	V	V	V	V
	21'	R	R	R	R	R	R	R	V	V	V	V
	18'	R	R	R	R	R	R	R	V	V	V	V
	15'	R	R	R	R	R	R	R	V	V	V	V
	13'6"	R	R	R	R	R	R	R	V	V	V	V
	12'	R	R	R	R	R	R	R	V	V	V	V
	10'6"	R	R	R	R	R	R	R	V	V	V	V
	9'	V	V	V	V	V	V	V	V	V	V	V
	7'6"	V	V	V	V	V	V	V	V	V	V	V
	6'	V	V	V	V	V	V	V	V	V	V	X
4'6"	V	V	V	V	V	V	V	X	X	X	X	
3'	V	V	V	V	V	X	X	X	X	X	X	
20"	V	V	V	X	X	X	X	X	X	X	X	
		20"	3'	4'6"	6'	7'6"	9'	10'6"	12'	13'6"	15'	16'6"

### 3.2.2 Calculation table vertical termination

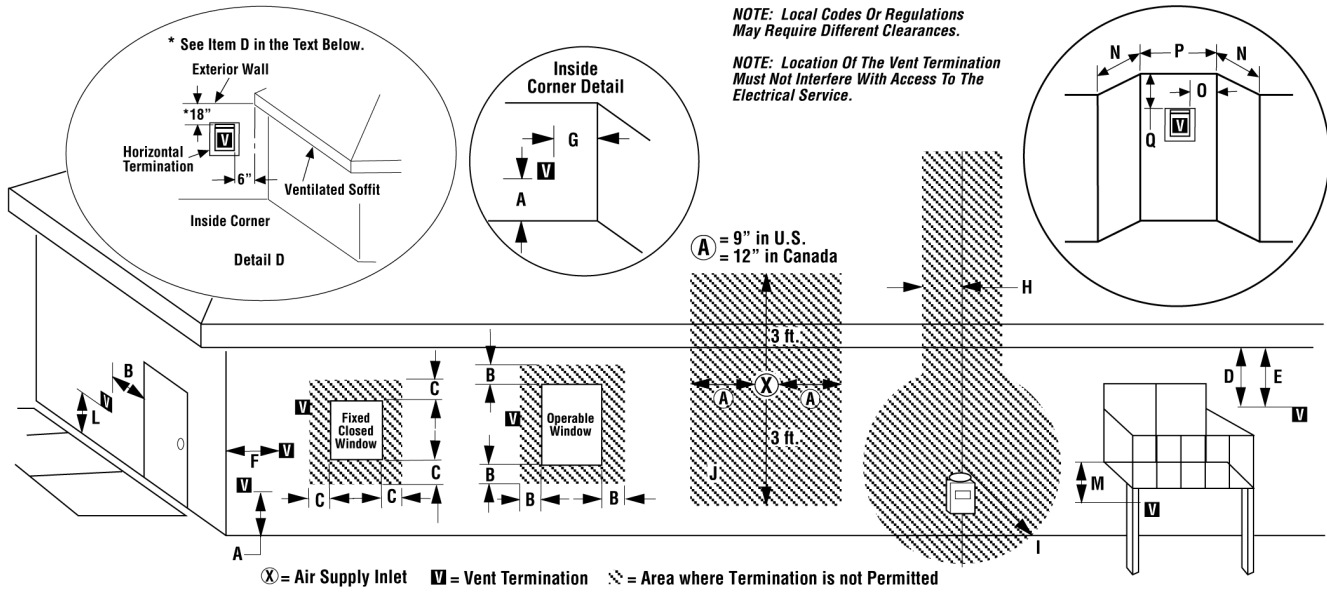
For a vertical termination a minimal starting length of 20" before an elbow and minimal **Total Vertical Length** of 3' is required.

Total Vertical Length	72'	V	V	X	X	X	X	X	X	X	X	X
	69'	R	V	V	V	X	X	X	X	X	X	X
	66'	R	R	R	V	V	V	X	X	X	X	X
	63'	R	R	R	R	R	V	V	V	X	X	X
	60'	R	R	R	R	R	R	R	V	V	V	X
	57'	R	R	R	R	R	R	R	R	V	V	V
	54'	R	R	R	R	R	R	R	R	R	R	V
	51'	R	R	R	R	R	R	R	R	R	R	R
	48'	R	R	R	R	R	R	R	R	R	R	R
	45'	R	R	R	R	R	R	R	R	R	R	R
	42'	R	R	R	R	R	R	R	R	R	R	R
	39'	R	R	R	R	R	R	R	R	R	R	R
	36'	R	R	R	R	R	R	R	R	R	R	R
	33'	R	R	R	R	R	R	R	R	R	R	R
	30'	R	R	R	R	R	R	R	R	R	R	R
	27'	R	R	R	R	R	R	R	R	R	R	R
	24'	R	R	R	R	R	R	R	V	V	V	V
	21'	R	R	R	R	R	R	R	V	V	V	V
	18'	R	R	R	R	R	R	R	V	V	V	V
	15'	R	R	R	R	R	R	R	V	V	V	V
	13'6"	R	R	R	R	R	R	R	V	V	V	V
	12'	R	R	R	R	R	R	R	V	V	V	V
	10'6"	R	R	R	R	R	R	R	V	V	V	V
	9'	V	V	V	V	V	V	V	V	V	V	V
7'6"	V	V	V	V	V	V	V	V	V	V	V	
6'	V	V	V	V	V	V	V	V	V	V	X	
4'6"	V	V	V	V	V	V	V	X	X	X	X	
3'	V	V	V	V	V	X	X	X	X	X	X	
		0	20"	3'	4'6"	6'	7'6"	9'	10'6"	12'	13'6"	15'

<b>R</b>	Air Restrictor Required
<b>V</b>	Air Restrictor Not Required
<b>X</b>	Can Not Have That Vent Run

# VENTING CLEARANCES

## HORIZONTAL VENT TERMINATION CLEARANCES AND REQUIREMENTS



**NOTE: Local Codes Or Regulations May Require Different Clearances.**

**NOTE: Location Of The Vent Termination Must Not Interfere With Access To The Electrical Service.**

	US Installation**	Canadian Installation*
<b>A = Clearance above grade, veranda, porch, deck, or balcony.</b>	12 inches (30cm)**	12 inches (30cm)*
<b>B = Clearance to window or door that may be opened.</b>	6 inches (15cm) for appliances < 10,000 Btuh (3kW), 9 inches (23cm) for appliances > 10,000 Btuh (3kW) and < 50,000 Btuh (15kW), 12 inches (30cm) for appliances > 50,000 Btuh (15kW)**	6 inches (15cm) for appliances < 10,000 Btuh (3kW), 12 inches (30cm) for appliances > 10,000 Btuh (3kW)
<b>C = Clearance to permanently closed window</b>	9 inches (229mm) recommended to prevent window condensation	12 inches (305mm) recommended to prevent window condensation
<b>D = Vertical clearance to ventilated soffit located above the termination within a horizontal distance of 18 inches (458mm) from the center line of the termination</b>	18 inches (458mm)	18 inches (458mm)
<b>E = Clearance to unventilated soffit</b>	12 inches (305mm)	12 inches (305mm)
<b>F = Clearance to outside corner</b>	5 inches (12.7cm) minimum	5 inches (12.7cm) minimum
<b>G = Clearance to inside corner</b>	2 inches (5.08cm) minimum - SV4.5HT-2	2 inches (5.08cm) minimum - SV4.5HT-2
<b>H = Clearance to each inside of center line extended above meter/regulator assembly</b>	3 feet (91cm) within a height of 15 feet above the meter/regulator assembly**	3 feet (91cm) within a height of 15 feet above the meter/regulator assembly*
<b>I = Clearance to service regulator vent outlet</b>	3 feet (91cm)**	3 feet (91cm)*
<b>J = Clearance to nonmechanical air supply inlet to building or the combustion air inlet to any other appliance</b>	6 inches (15cm) for appliances < 10,000 Btuh (3kW), 9 inches (23cm) for appliances > 10,000 Btuh (3kW) and < 50,000 Btuh (15kW), 12 inches (30cm) for appliances > 50,000 Btuh (15kW)**	6 inches (15cm) for appliances < 10,000 Btuh (3kW), 12 inches (30cm) for appliances > 10,000 Btuh (3kW)
<b>K = Clearance to a mechanical air supply inlet</b>	3 feet (91cm) above if within 10 feet (3m) horizontally**	6 feet (1.83m)*
<b>L = Clearance above paved sidewalk or paved driveway located on public property</b>	7 feet (2.13m)‡	7 feet (2.13m)‡
<b>M = Clearance under veranda, porch, deck or balcony</b>	12 inches (30cm)‡	12 inches (30cm)*‡
<b>N = Depth of Alcove (Maximum)</b>	6 feet (1.83m)**	6 feet (1.83m)*
<b>O = Clearance to Termination (Alcove)</b>	6 inches (15.2mm)**	6 inches (15.2mm)*
<b>P = Width of Alcove (Minimum)</b>	3 feet (91cm)*	3 feet (91cm)*
<b>Q = Clearance to Combustible Above (Alcove)</b>	18 inches (457mm)**	18 inches (457mm)*

\* In accordance with the current CSA-B149.1 National Gas And Propane Installation Code.

\*\* In accordance with the current ANSI S2223.1/NFPA 54 National Fuel Gas Codes.

‡ A vent shall not terminate directly above a sidewalk or paved driveway which is located between two single family dwellings and serves both dwellings.

\*‡ Only permitted if veranda, porch, deck or balcony is fully open on a minimum 2 sides beneath the floor:



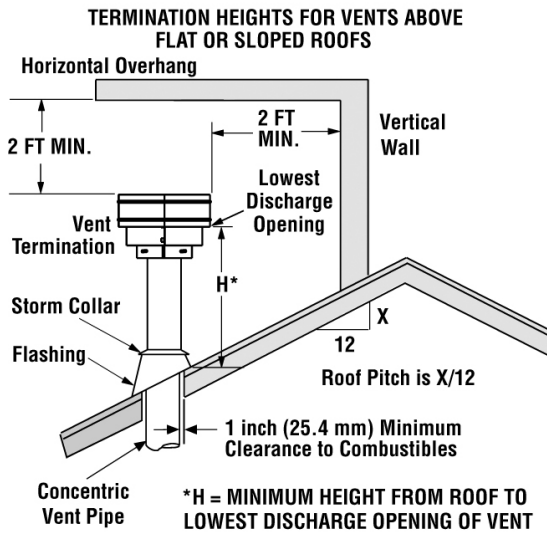
# VENTING CLEARANCES

## VERTICAL TERMINATION CLEARANCES AND REQUIREMENTS

### Important Note for Roof Terminations

These instructions should be used as a guideline and do not supersede local codes in any way. Install venting according to local codes, these instructions, the current National Fuel Gas Code (ANSI Z223.1 in the USA) or the current standard of CAN/CSA-B149.1 in Canada.

### Vertical Vent Termination Clearances

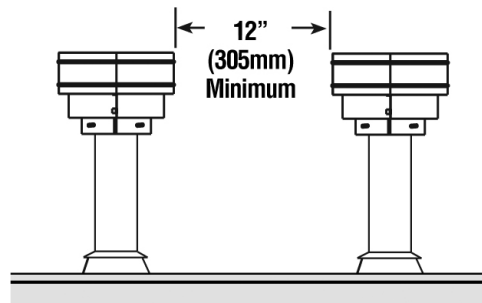


The vent / air intake termination clearances above the high side of an angled roof is as shown in the following chart:

Termination Heights For Vents Above Flat Or Sloped Roofs Ref. NFPA 54 / ANSI Z223.1		
Roof Pitch	* Feet	* Meters
Flat to 6/12	1.0	0.3
6/12 to 7/12	1.25	0.38
7/12 to 8/12	1.5	0.46
8/12 to 9/12	2.0	0.61
9/12 to 10/12	2.5	0.76
10/12 to 11/12	3.25	0.99
11/12 to 12/12	4.0	1.22
12/12 to 14/12	5.0	1.52
14/12 to 16/12	6.0	1.83
16/12 to 18/12	7.0	2.13
18/12 to 20/12	7.5	2.29
20/12 to 21/12	8.0	2.44

Termination Heights

A second termination may be no closer than 12"/305 mm.



Multiple Termination Clearance